

# Industrial 4 Ports PoE Gigabit Ethernet Switch (MS60)

Full gigabit,60W Microsemi HPOE,6KV Lightning、Redundant power supply

## UTP7204GE-HPOE(MS60)



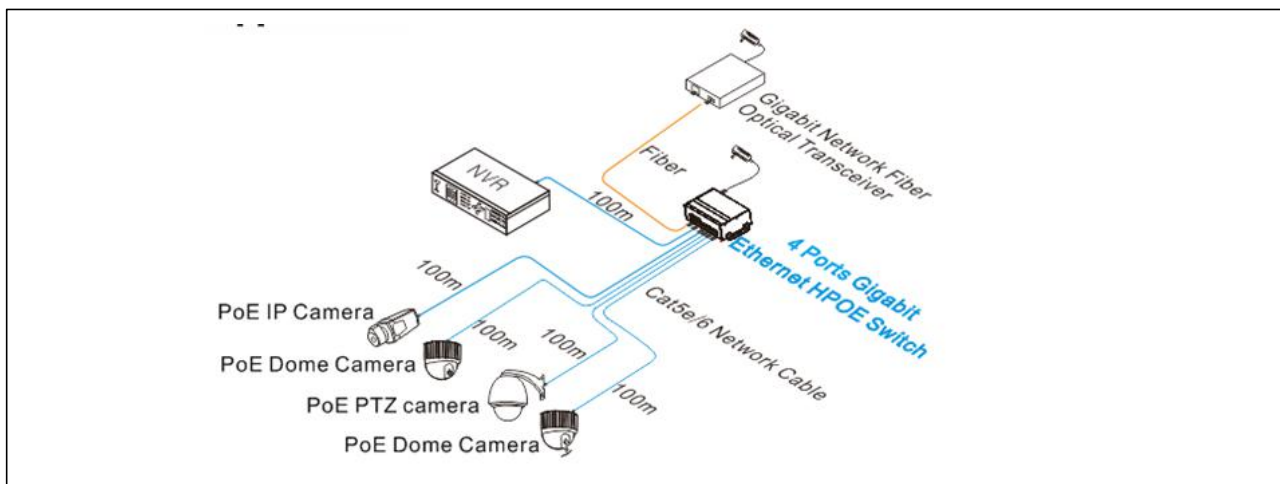
- ③ Standard: IEEE802.3 ,IEEE802.3u ,IEEE802.3ab,IEEE802.3z,IEEE802.3 af/at;
- ③ Provide 2 optical and 2 copper uplink ports, wherein 1 optical port and 1 Ethernet port are Combo ports;
- ③ Provide 4x10/100/1000 Mbps adaptive downlink PoE ports, 1st port 60W HPOE,other 3 ports 30W standard PoE,use Microsemi PSE solution;
- ③ Redundant power design, support power hot backup;Standard DC port and green terminal port, support power adapter with different connectors and power;
- ③ Fanless way metal shell with heat dissipation design ;
- ③ Fast installation and easy operation, convenient for wall, din rail and desktop installation.



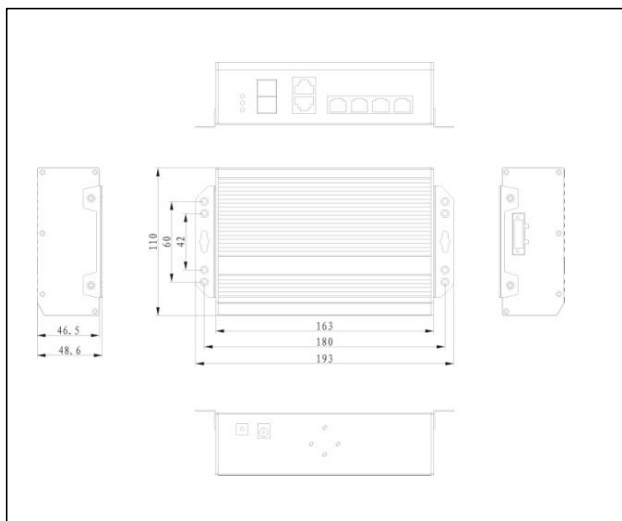
## Introduction

4 ports Gigabit Ethernet PoE/HPOE switch is an unmanaged PoE Ethernet switch, which provides 2 optical, 2 copper uplink ports and 4 Gigabit downlink PoE ports, wherein 1 optical and 1 Ethernet ports are Combo ports. It has 1st port 60W HPOE,3 ports 30W standard PoE,use Microsemi PSE solution,the 1st HPOE port can support PTZ camera. It could be widely used in security network video surveillance, network engineering and other occasions.

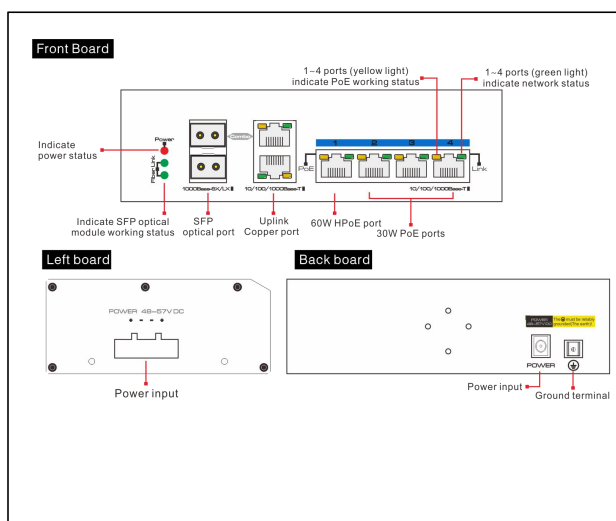
## Application



## Physical Features



## Interface drawing



Specification

Model	UTP7204GE-HPOE(MS60)
Downlink Ports	4* 10/100/1000Base-T PSE
Uplink Ports	2*1000Base-X SFP Port and 2*10/100/1000Base-T(1*1000Base-X or 10/100/1000Base-T is combo port)
Network Standard	IEEE802.3、IEEE802.3u、IEEE802.3ab、IEEE802.3z、IEEE802.3 X
Switch Capacity	14Gbps
Throughput	10.4Mpps
Switch Processing Scheme	Store and Forward
Memory Buffer	1Mbit
MAC Table	8K
PoE Standard	802.3af/at ,Microsemi 60W HPoE
PoE Type	End-span
Power Pin Assignment	1/2(+), 3/6(-)
PoE Power Output	44~57V DC , 1st port 60 W HPoE ,2~4 ports 30W standard PoE
PoE solution	Microsemi
Lightning protection	6KV Execute : IEC61000-4-5
ESD	6KV Contact discharge 8KV Air discharge Execute : IEC61000-4-2
Power Supply	DC 48~57V
Power Dissipation	<6W
Work temperature	-40°C~75°C
Storage temperature	-40°C~85°C
Humidity(Non-condensin)	5%-95%
Dimension ( L×W×H )	163mm×110mm×46mm
Weight	530g
Regulator	CE、FCC、ROHS

Package List

Designation	Quantity
UTP7204GE-HPOE(MS60)	1
Power Adapter	1
Hanger	2
Din rails hanger	1
User Manual	1

Related Products

Designation	Model
Industrial 4 Port POE Fast Ethernet Switch	UTP7204E-POE-A1
Industrial 8 Port POE Fast Ethernet Switch	UTP7208E-POE-A1