


## SF5P-HM

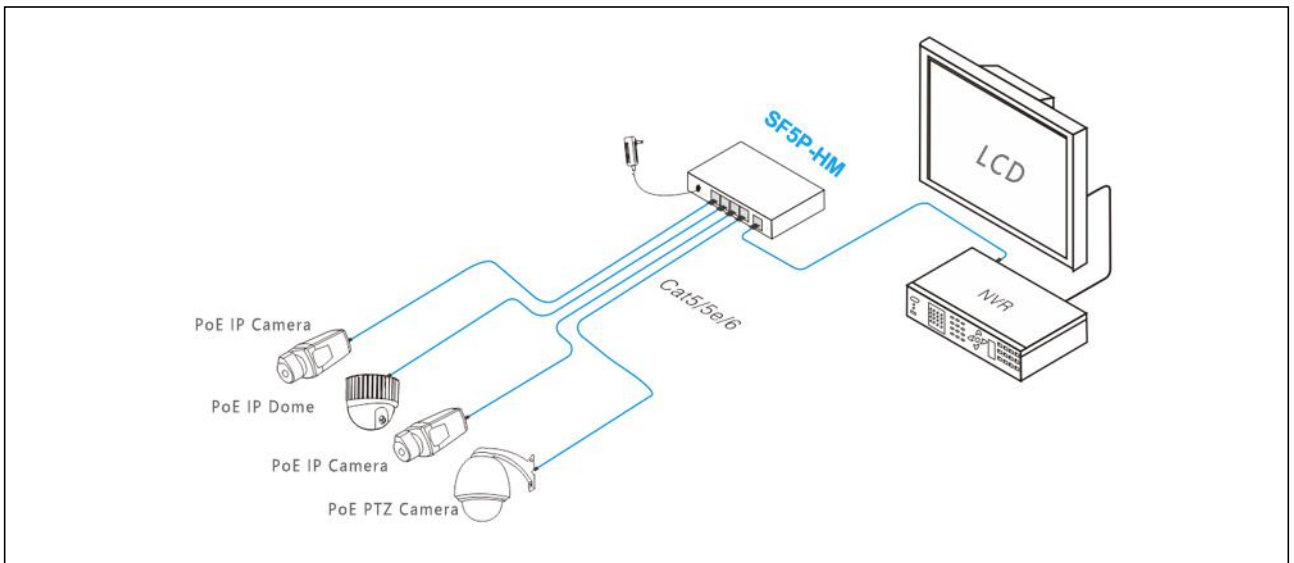


- Provide 4\*10/100Base-TX PoE ports + 1\*10/100Base-TX uplink port.
- IEEE802.3af/at, with PoE power budget of 60W.
- Three operating modes (Default, VLAN, CCTV).
- Supports PoE watchdog under VLAN and CCTV mode. It improves the online rate of cameras.
- Support 6KV surge immunity, 8KV ESD protection.
- Support desktop and wall mount installation.
- Plug and play, no need more configuration. 

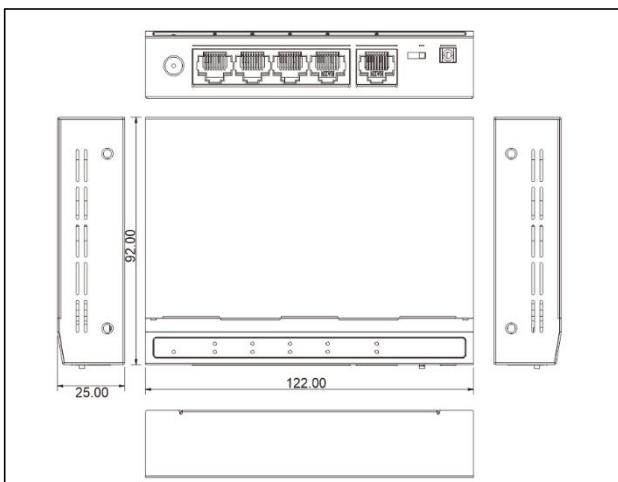
## Overview

SF5P-HM, unmanaged PoE switch, provides 4\*10/100Base-TX PoE ports + 1\*10/100Base-TX uplink port. Max PoE power output for single port is 30W, the total PoE power budget is 60W. Equipped with function of three operating modes(Default, VLAN, CCTV), the switch supports PoE watchdog under VLAN and CCTV, and it improves the online rate of cameras.

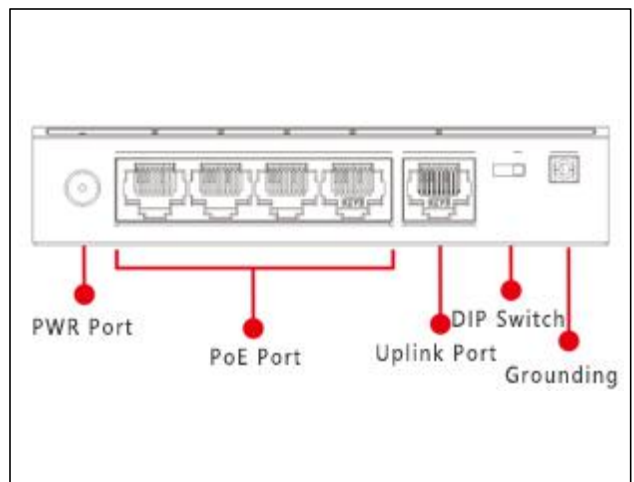
## Application



## Physical Features



## Interface drawing



**Specification**

<b>Model</b>	<b>SF5P-HM</b>
Downlink Ports	4*10/100Base-TX PoE
Uplink Ports	1*10/100Base-TX RJ45
Standards	IEEE802.3, IEEE802.3u, IEEE802.3x
Switching Capacity	1Gbps
Packet Forwarding Rate	0.75Mpps
Forwarding Modes	Store and Forward
Packet Buffer	448 kbits
MAC Table	1k
Three Working Modes	Default: All port can be communicated freely. VLAN: Port 1-4 are isolated respectively, but can communicate with uplink port, support PoE watchdog CCTV: Port 1-4, 10M, with long transmission distance of 250 meters, support PoE watchdog
PoE Standard	802.3af/at(PSE)
PoE Power Supply Type	End-span
PoE Pin Assignment	1/2(+), 3/6(-)
PoE Power Output	Max PoE power output for single port is 30W (DC52V) Total PoE power budget is 60W
Surge Immunity	Common mode 6KV, Execute standard: IEC61000-4-5
ESD Protection	6KV Contact discharge 8KV Air discharge Execute standard: IEC61000-4-2
Input Voltage	DC 52V 1.2A
Power Consumption	<63W
Operating Temperature	-10°C~50°C
Storage Temperature	-40°C~85°C
Operating Humidity	5%~95%(Non-condensing)
Dimensions (W * D *H)	122mm*92mm*25mm
Weight	343g
Certification	CE, FCC, ROHS

**Package List**

Designation	Quantity
PoE Switch	1
Power Adapter	1
User Manual	1

**Related Products**

Designation	Model
6 Ports 10/100Mbps Unmanaged PoE Switch	<b>SF6P-HM</b>
9 Ports 10/100Mbps Unmanaged PoE Switch	<b>SF9P-HM</b>