

DS-K1T642 Series Face Recognition Terminal

DS-K1T642 series face recognition terminal adopts deep learning algorithm, which helps to recognize the face faster with higher accuracy. It also supports multiple authentication modes: face/card/fingerprint authentication, etc. It can be applied in multiple scenarios, such as buildings, enterprises, financial industries, and other important areas.



Available Model

- DS-K1T642M
- DS-K1T642MF
- DS-K1T642E
- DS-K1T642EF
- DS-K1T642MW
- DS-K1T642MFW
- DS-K1T642EW
- DS-K1T642EFW

Features

- 4.3-inch touch screen
- 2 MP wide-angle dual-lens
- Face anti-spoofing
- Face recognition distance: 0.3 m to 3 m
- Deep learning algorithm
- 6,000 face capacity, 10,000 card capacity, 5,000 fingerprint capacity for device support fingerprint related functions, and 150,000 event capacity
- Face recognition duration < 0.2 s/User; face recognition accuracy rate ≥ 99%
- Capture linkage and captured pictures storage
- Transmits card and user data from or to the client software via TCP/IP protocol and saves the data on the client software
- Imports pictures from the USB flash drive to the device or export pictures, events, from the device to the USB flash drive
- Stand-alone operation
- Manage, search and set device data after logging in the device locally



- Connects to one external card reader via RS-485 protocol
- Connects to secure door control unit via RS-485 protocol to avoid the door opening when the terminal is destroyed
- Connects to external access controller or Wiegand card reader via Wiegand protocol
- Two-way audio with indoor station and master station
- Supports 6 attendance status, including check in, check out, break in, break out, overtime in, overtime out
- Configuration via the web client
- Remotely opens door and starts live view via Hik-Connect
- Supports ISAPI and EHome 5.0 protocol

* **Biometric recognition products are not 100% applicable to anti-spoofing environments. If you require a higher security level, use multiple authentication modes.**

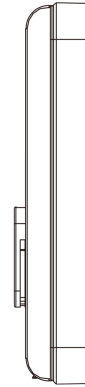
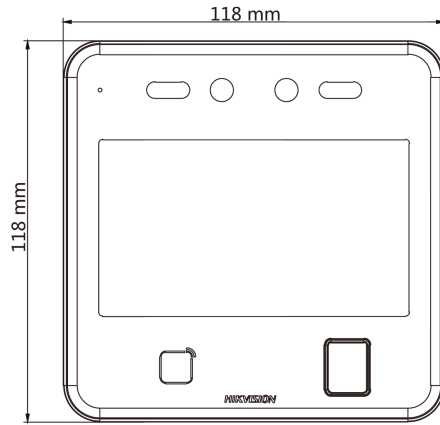
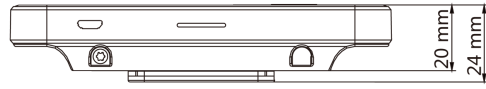
Specifications

Model		DS-K1T642M DS-K1T642E	DS-K1T642MF DS-K1T642EF	DS-K1T642MW DS-K1T642EW	DS-K1T642MFW DS-K1T642EFW
System	Operation system	Linux			
	Size	4.3-inch			
Screen	Resolution	800 × 480			
	Operation method	Capacitive touch screen			
	Pixel	2 MP			
Camera	WDR	Support			
	Lens	× 2			
	Video standard	PAL (Default) and NTSC			
	Audio input	Built-in omnidirectional microphone			
Audio	Audio output	Built-in loudspeaker			
	Wired network	10 M/100 M/1000 M self-adaptive			
Network	Wi-Fi	Not support		Support	
	Network interface	× 1, RJ45			
Interface	RS-485	× 1			
	Wiegand	Wiegand 26 and Wiegand 34			
	Lock output	× 1			
	Exit button	× 1			
	Door contact input	× 1			
	Power interface	× 1			
	TAMPER	× 1			
	USB	× 1, USB2.0			
	Capacity	Card capacity	10,000		
Face capacity		6,000			
Fingerprint capacity		/	5,000	/	5,000

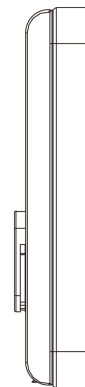
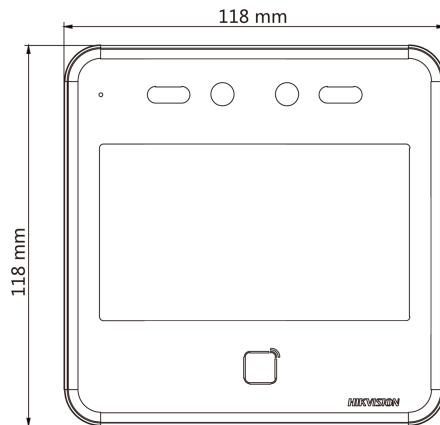
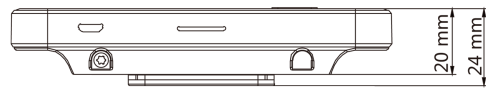
Model		DS-K1T642M DS-K1T642E	DS-K1T642MF DS-K1T642EF	DS-K1T642MW DS-K1T642EW	DS-K1T642MFW DS-K1T642EFW
	Event capacity	150,000			
Authentication	Card type	DS-K1T642M: Mifare DS-K1T642E: 125 KHz EM card	DS-K1T642MF: Mifare DS-K1T642EF: 125 KHz EM card	DS-K1T642MW: Mifare DS-K1T642EW: 125 KHz EM card	DS-K1T642MFW: Mifare DS-K1T642EFW: 125 KHz EM card
	Card reading distance	0 to 3 cm			
	Card reading duration	< 1 s			
	Face recognition duration	< 0.2 s			
	Face recognition distance	0.3 to 3 m			
	Fingerprint Recognition duration	/	< 1 s	/	< 1 s
	Function	QR code recognition	Support		
Face anti-spoofing		Support			
Live view		Supports live view on the platform, H.264			
Face recognition		Supports face recognition in low illumination			
Access control management		Supports multiple authentication methods			
Others	power supply	12 VDC, 2 A			
	Working temperature	-10 °C to 50 °C (-58 °F to 122 °F)			
	Working humidity	0 to 90% (No condensing)			

* Exposing the equipment to direct sun light, low ventilation or heat source such as heater or radiator is forbidden (ignorance can cause fire danger).

Dimensions



Dimension with Fingerprint Module



Dimension without Fingerprint Module

Distributed by

**HIKVISION®****Headquarters**

No.555 Qianmo Road, Binjiang District,
Hangzhou 310051, China
T +86-571-8807-5998
overseasbusiness@hikvision.com

Hikvision USA
T +1-909-895-0400
sales.usa@hikvision.com

Hikvision Australia
T +61-2-8599-4233
salesau@hikvision.com

Hikvision India
T +91-22-28469900
sales@pramahikvision.com

Hikvision Canada
T +1-866-200-6690
sales.canada@hikvision.com

Hikvision Thailand
T +662-275-9949
sales.thailand@hikvision.com

Hikvision Europe
T +31-23-5542770
sales.eu@hikvision.com

Hikvision Italy
T +39-0438-6902
info.it@hikvision.com

Hikvision Brazil
T +55 11 3318-0050
Latam.support@hikvision.com

Hikvision Turkey
T +90 (216)521 7070- 7074
sales.tr@hikvision.com

Hikvision Malaysia
T +601-7652-2413
sales.my@hikvision.com

Hikvision UK & Ireland
T +01628-902140
sales.uk@hikvision.com

Hikvision South Africa
Tel: +27 (10) 0351172
sale.africa@hikvision.com

Hikvision France
T +33(0)1-85-330-450
info.fr@hikvision.com

Hikvision Kazakhstan
T +7-727-9730667
nikia.panfilov@hikvision.ru

Hikvision Vietnam
T +84-974270888
sales.vt@hikvision.com

Hikvision UAE
T +971-4-4432090
salesme@hikvision.com

Hikvision Singapore
T +65-6684-4718
sg@hikvision.com

Hikvision Spain
T +34-91-737-16-55
info.es@hikvision.com

Hikvision Tashkent
T +99-87-1238-9438
uzb@hikvision.ru

Hikvision Hong Kong
T +852-2151-1761
info.hk@hikvision.com

Hikvision Russia
T +7-495-669-67-99
saleru@hikvision.com

Hikvision Korea
T +82-(0)31-731-8817
sales.korea@hikvision.com

Hikvision Poland
T +48-22-460-01-50
info.pl@hikvision.com

Hikvision Indonesia
T +62-21-2933759
Sales.Indonesia@hikvision.com

Hikvision Colombia
sales.colombia@hikvision.com